

# Technical data sheet

Product features



## Cooking range induction 1 zone

<b>Model</b>	<b>SAP Code</b>	00013589
PCID-44ET	<b>A group of articles - web</b>	Stoves



- Device type: Electric unit
- Power consumption of the zone 1 [kW]: 5
- Material: AISI 304 top plate and cladding

<b>SAP Code</b>	00013589	<b>Power electric [kW]</b>	5.000
<b>Net Width [mm]</b>	400	<b>Loading</b>	400 V / 3N - 50 Hz
<b>Net Depth [mm]</b>	400	<b>Number of zones</b>	1
<b>Net Height [mm]</b>	348	<b>Power consumption of the zone 1 [kW]</b>	5
<b>Net Weight [kg]</b>	12.00	<b>Ceramic glass dimensions [mm]</b>	350 x 350

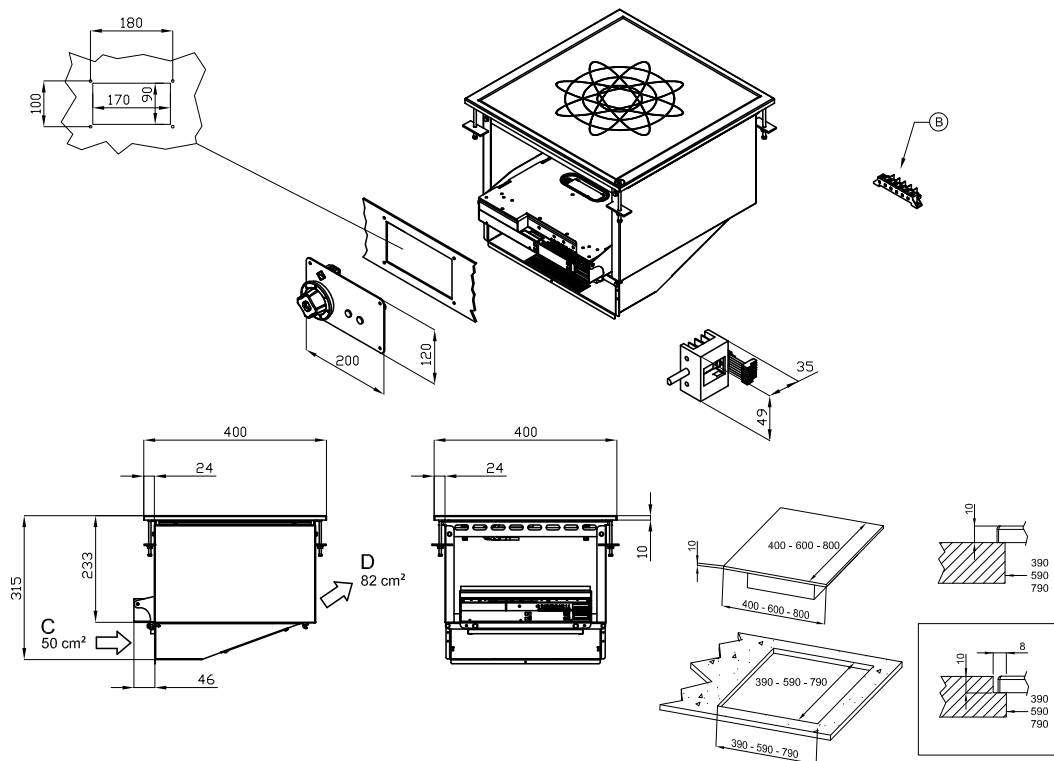
# Technical data sheet

Technical drawing



## Cooking range induction 1 zone

<b>Model</b>	<b>SAP Code</b>	00013589
PCID-44ET	<b>A group of articles - web</b>	Stoves



A	Data plate		B	Electrical connection	
---	------------	--	---	-----------------------	--

# Technical data sheet

Technical parameters



## Cooking range induction 1 zone

<b>Model</b>	<b>SAP Code</b>	00013589
PCID-44ET	<b>A group of articles - web</b>	Stoves

**1. SAP Code:**

00013589

**2. Net Width [mm]:**

400

**3. Net Depth [mm]:**

400

**4. Net Height [mm]:**

348

**5. Net Weight [kg]:**

12.00

**6. Gross Width [mm]:**

470

**7. Gross depth [mm]:**

700

**8. Gross Height [mm]:**

530

**9. Gross Weight [kg]:**

18.00

**10. Device type:**

Electric unit

**11. Construction type of device:**

Drop-in

**12. Power electric [kW]:**

5.000

**13. Loading:**

400 V / 3N - 50 Hz

**14. Material:**

AISI 304 top plate and cladding

**15. Worktop Thickness [mm]:**

2.00

**16. Number of zones:**

1

**17. Power consumption of the zone 1 [kW]:**

5

**18. Power control type:**

knob control

**19. Number of burners/hot plates:**

1

**20. Type of electric cooking zones:**

Induction

**21. Ceramic glass dimensions [mm]:**

350 x 350

**22. Cross-section of conductors CU [mm<sup>2</sup>]:**

1

**23. Glass-ceramic top thickness [mm]:**

6

**24. Load capacity [kg]:**

60